

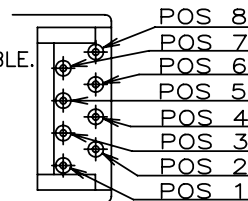
Tous droits strictement reserves. Reproduction ou communication a des tiers interdite sous quelque forme que ce soit sans autorisation écrite du propriétaire. Propriete de c FCI. Droits de reproduction FCI.



All rights strictly reserved. Reproduction or issue to third parties in any form whatever is not permitted without written authority from the proprietor. Property of FCI. Copyright FCI.

PRODUCT NO	NUMBER OF POS.	LOADED POSITION	LEAD FREE OPTION	COLOR
92250-X88	8	ALL POS.	NOTE 6 & 8	BLACK
92250-X86		2,3,4,5,6,7		
92250-X84		3,4,5,6		
92250-X88G		ALL POS.		GRAY

NOTE: PLEASE CHECK FOR AVAILABILITY, NOT ALL OPTIONS AVAILABLE.



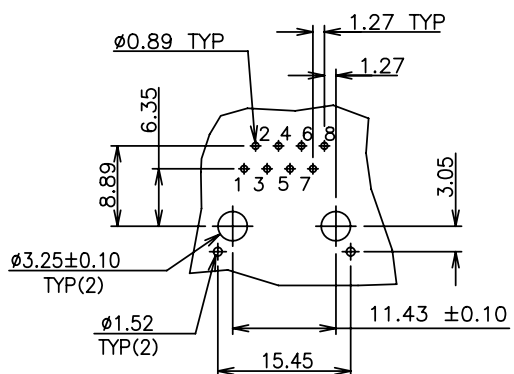
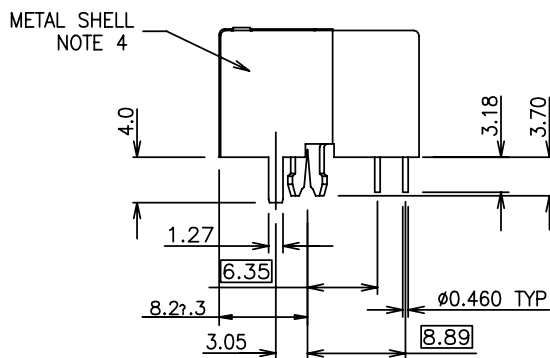
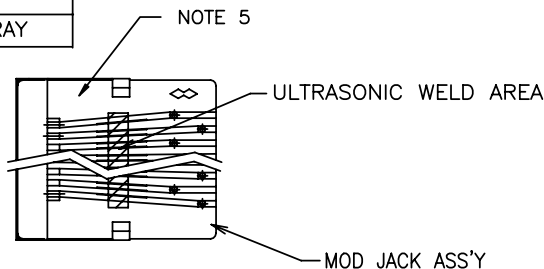
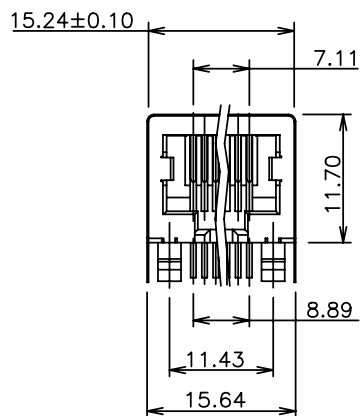
POS. NO. CONFIGURATION

PLATING CODE X	PLATING
0	30u" G.X.T.
1	15u" GOLD. ⑩
3	30u" GOLD. ⑩
5	50u" GOLD.

NOTE: PLEASE CHECK FOR AVAILABILITY, NOT ALL OPTIONS AVAILABLE.

NOTES:

- RECOMMENDED P.C.B THICKNESS 1.60 MM
- HOUSING MAT'L: NYLON 6/6, 25% GLASS REINFORCED,
- CONTACTS: PHOS BRONZE ALLOY UNS-C51000, ϕ 0.460 ROUND WIRE, PLATING SEE TABLE.
- SHIELDING MATERIAL:
0.25 [0.010] THICK BRASS ALLOY 2.54 μ M/100 μ "
TIN-LEAD PLATED, OVER 1.02 μ M/40 μ " MIN NICKEL UNDERPLATING PER BUS-15-002/M.
LEAD FREE OPTION:
0.25 [0.010] THICK BRASS ALLOY 2.03 μ M/80 μ "
TIN PLATED, OVER 1.02 μ M/40 μ " MIN NICKEL UNDERPLATING PER BUS-15-002/M.
- COMPANY LOGO LOCATED IN THIS AREA.
- ADD LF SUFFIX AT THE END OF PART NUMBER FOR LEAD FREE OPTION.
- THE HOUSING WILL WITHSTAND EXPOSURE TO 260 \circ C PEAK TEMPERATURE FOR 15 SECONDS IN A WAVE SOLDER APPLICATION WITH A 1.5mm MINIMUM THICK CIRCUIT BOARD. SEE APPLICATION NOTES/PROCEDURES IF THEY ARE AVAILABLE.
- THIS PRODUCT MEETS EUROPEAN UNION DIRECTIVES AND OTHER COUNTRY REGULATION AS DESCRIBED IN GS-22-008.
- PLATING OPTIONS:
MAY BE EITHER GOLD OR GXT PLATED AT MANUFACTURER'S OPTION. EQUIVALENT THICKNESS Au AND GXT PLATING HAVE SAME FUNCTION AND THEY ARE ALTERNATIVE BY THE CUSTOEMR .



P.C.B. HOLE PATTERN VIEWED FROM TOP.

mat'l. code				tolerances unless otherwise specified		CUSTOMER COPY	FCI www.fciconnect.com		
ltr	ecn no	dr	date	linear	.X/±.3	projection	title LOW PROFILE PCB III 8 POS SHIELDED M/J		
L	N08-0097	SH	09/24/08		.XX/±.13				
				angles	.XXX/±.051				
				dr	K.CHEN 6/27/92	MM	product family	MOD JACK	
H	M05-0005	MHT	01/11/05	enr	TONY CHEN 6/27/92		size	dwg no	213
J	M05-0038	MHT	03/04/05	chr	TONY CHEN 6/27/92		scale	92250	sheet 1 of 1
K	N06-256	WG	12/05/06	appd	JENN TSAO 6/27/92	4	A		
sheet index	revision sheet	L	1						

PDM: Rev: 3

STATUS Released 26 Printed: Oct 09, 2008